



Colors of Provence A Soulful Experience

October 14-24, 2027

7-night river cruise from Arles to Lyon aboard AmaKristina
and 3 nights in Paris



Avignon, France

Cruise along the Rhône River to Lyon, exploring the Black and African diaspora in France. Admire the contemporary works of African artists at the Fondation Blachère. Attend captivating lectures on board. Explore the cultural history of Marseille, delight in live performances and enjoy a variety of experiences exclusive to this itinerary, such as guided tours showcasing jazz, food and wine, all while shining a light on Black heritage. Following your river cruise, join AmaWaterways in Paris for specially curated tours in a city where many Black artists, writers and entertainers made their mark, including the legendary Josephine Baker.

DATE	DESTINATION	ACTIVITIES
Oct 14	Arles	RIVER CRUISE EMBARKATION
Oct 15	Arles	Marseilles Black Heritage tour OR Arles Walking Tour
Oct 16	Avignon	Morning Walking Tour & Papal Palace OR Avignon Bike Tour OR Fondation Blachere & Alpilles Afternoon Walking Tour & Papal Palace OR Fondation Blachere & Alpile
Oct 17	Viviers	Viviers Walking Tour OR Grignan Truffle Farm OR Viviers active walk OR Viviers bike tour
Oct 18	Tournon	Steam train ride OR Tain l'Hermitage Hike & Wine Tasting History of jazz lecture
Oct 19	Vienne	Roman ruins walking tour OR Mount Pipet hike OR ViaRhôna bike tour History of the French colonies lecture
Oct 20	Lyon	Lyon Tasting Tour Tata of Chasselay and Beaujolais Wine Tasting Juneteenth Celebration
Oct 21	Lyon	RIVER CRUISE DISEMBARKATION TGV high-speed train to Paris
	Paris	Hotel check-in
Oct 22	Paris	Josephine Baker tour
Oct 23	Paris	Black History of Paris tour
Oct 24	Paris	Return flight home



WHAT'S INCLUDED IN YOUR SOULFUL EXPERIENCE

- » 7-night river cruise in elegantly appointed accommodations
- » Exquisite locally sourced food and wine
- » Unlimited hand-selected wine, beer and soft drinks with lunch & dinner
- » Juneteenth Celebration – Menu by Alexander Smalls, James Beard award winner
- » “Evening in White” – Guests are encouraged to wear white
- » Excursions and experiences highlighting Black and African history and culture
- » Nightly entertainment
- » Professionally trained Wellness Host leading wellness activities
- » Unlimited complimentary Wi-Fi access
- » TGV high-speed train from Lyon to Paris
- » 3-night stay in Paris including daily breakfast, Josephine Baker tour and Black History of Paris tour

OPTIONAL LAND PACKAGE INCLUSIONS

- » Hotel accommodations with daily breakfast and city tours
- » Transfers between hotel and ship



SAVE \$250 PER PERSON

7-night river cruise + 3 nights in Paris
starting from ~~\$7,149~~ **\$6,899** per person

OPTIONAL LAND PACKAGE

Pre-cruise 3 nights Barcelona from \$1,530 per person

For reservations or more information, please contact:



Barbara Ballard-Garner
215-292-3836
Barbara@115TRAVEL.com
www.115TRAVEL.com

Colors of Provence: A Soulful Experience

October 14-24, 2027 | 7-night cruise aboard AmaKristina



Twin Balcony Stateroom



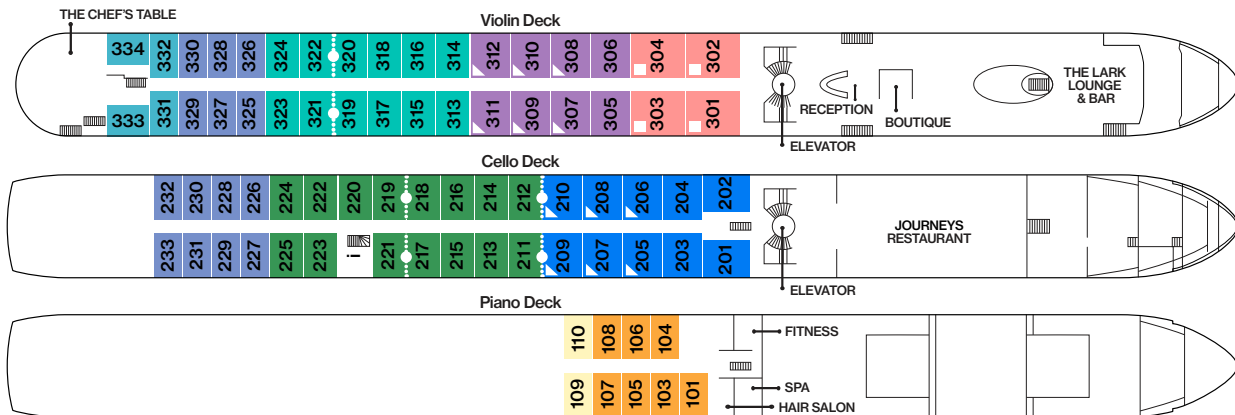
The Chef's Table

ONBOARD FEATURES

- » Panoramic Lounge with bar, piano and dance floor
- » Walking track, pool with swim-up bar and fitness room
- » Hair salon and massage services (additional costs apply)
- » Entertainment-On-Demand with high-speed Internet, movies, music and English-language TV
- » Marble bathrooms, multi-jet showers, soothing bath products, cotton bathrobes, slippers and hair dryer
- » Generous closet and storage space with in-room safe
- » Individually controlled air conditioning in stateroom

DECK PLAN

CATEGORY	DESCRIPTION
SS	Suite, French & Outside Balcony, 350 sq.ft.
AA	French & Outside Balcony, 235 sq.ft.
AB	French & Outside Balcony, 235 sq.ft.
BA	French & Outside Balcony, 210 sq.ft.
BB	French & Outside Balcony, 210 sq.ft.
CA	French Balcony, 170 sq.ft.
CB	French Balcony, 155 sq. t.
D	Fixed Window, 160 sq.ft.
E	Fixed Window, 160 sq.ft.



TECHNICAL DATA – AMAKRISTINA

Length: 443 ft. Width: 38 ft. Crew: 51 Staterooms: 78 Passengers: 156 Registry: Switzerland

Travel Protection: Please ask your travel advisor about travel protection options or contact your local provider.

Terms & Conditions: All rates are per person in USD. Cruise price is based on double occupancy in a Category E stateroom and includes port charges. Savings are applicable only to new reservations and are reflected in the pricing when applicable. Solo travelers in a double occupancy must pay an additional single supplement amount before receiving any eligible discounts. Stateroom upgrades, airfares, optional land packages, visas and gratuities are additional. When applicable, land package rates are inclusive of intra-air flights for Europe. Other restrictions may apply. For complete details, general information and terms & conditions, please contact your travel advisor. AmaWaterways reserves the right to revise any errors on the flyer. Itinerary and shore excursions are subject to change at any time without notice. CST#2065452-20. V26MAR31SI

